

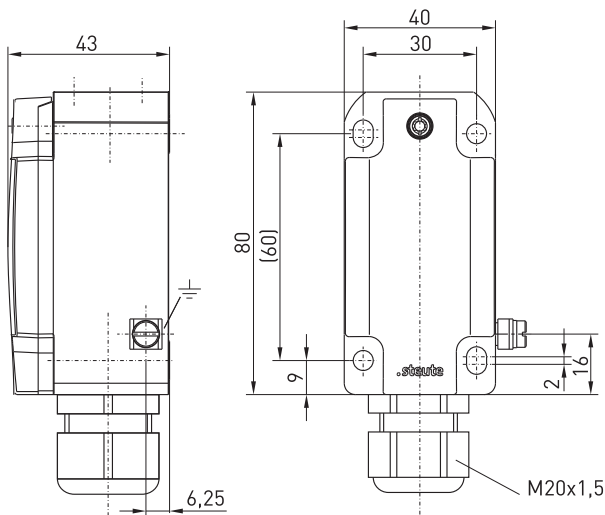
Ex position switches with safety function

// Series Ex 98

Features/Options

- Ex zone 1 and 21
- Design according to DIN EN 50041
- Available with 3 contacts
- Wiring compartment
- Actuator heads can be repositioned in 4 x 90° steps
- Angle of offset roller lever can be adjusted in 10° steps
- Special version only for dust Ex zone 22 available
- With gold-plated contacts available on request

// EX 98



Technical data

Standards	EN 60947-5-1; EN 1088; EN 60079-0, EN 60079-1, EN 60079-7, EN 60079-31; EN ISO 13849-1
Design	DIN EN 50 041
Enclosure	zinc die casting, enamelled
Switch insert	Ex 95
Degree of protection	IP 67 according to EN 60529
Contact material	silver
Switching system	slow action, positive break NC contact ⊖
Switching elements	change-over contact with double break Zb or 2 NC contacts, galvanically separated contact bridges
Connection	M3 screw clamps
Cable section	max. 1.5 mm ² (incl. conductor ferrules)
B_{10d} (10 % load)	2 million
T_M	max. 20 years
U_{imp}	4 kV
U_i	250 V
I_{the}	6 A
I_e/U_e	6 A/250 VAC; 0.25 A/230 VDC
Utilisation category	AC-15, DC-13
Max. fuse rating	6 A gL/gG D-fuse
Ambient temperature T_a	-20 °C ... +60 °C
Mechanical life	> 1 million operations
Switching frequency	1800/h
Repeat accuracy	± 0.1 mm
Contact gap	max. 2 x 3.5 mm
Ex marking	⊕ II 2G Ex de IIC T6/T5 Gb, II 2D Ex tb IIIC T80°C/T95°C Db IECEX Ex de IIC T6/T5 Gb, Ex tb IIIC T80°C/T95°C Db
Approvals	Atex and IECEX in 2011

Type code

Ex ES 98 S 10/1S-3D

Equipment Categ. 3D, dust
Ex zone 22
Contact type 10/1S, (20, UE)
Actuator S (R, 4VH, 4V7H-2138, etc.)
Series
Slow action (EM snap action)
Ex certified component