

INDUSTRIAL WORM GEAR HAND WINCH WW

2000 KGS TO 5000 KGS LIFTING CAPACITY

A range of high quality worm gear winches designed for wall mounting. Suitable for heavy-duty industrial applications.

The winches conform to DIN15020 and are CE marked, meeting the requirements of the European Machinery Directive. Secondary Drive and adjustable crank length. Load pressure brake fitted as standard.

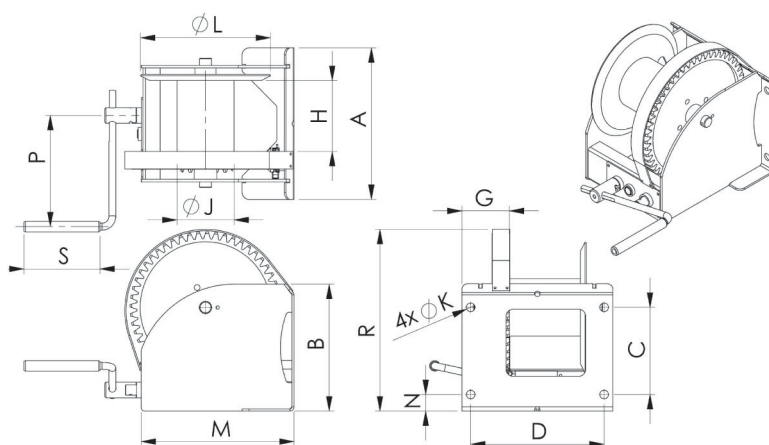
OPTIONS

Split drum with two rope anchors
Grooved Drum
Zinc plated finish.
Free spool clutch
Friction brake



Handwinch WW

Model	Safe Working Load 1st Layer kgs	Safe Working Load Top Layer kgs	Maximum Rope Layers	Rope Dia mm	Drum Rope Capacity 1st Layer m	Drum Rope Capacity Top Layer m	Recovery/ Crank Turn mm	Effort on Crank kgf	Weight Exc.Rope kgs
WW2000	2000	1129	6	13	5	46	12 & 6	22	60
WW3000	3000	1861	5	16	5,6	52	11 & 6	27	78
WW4000	4000	2390	5	16	5,6	52	11 & 4	35	80
WW5000	5000	3165	5	20	5,3	40	12 & 4	58	117



Model	A	B	C	D	G	H	J	K	L	M	N	O	P	R	S
WW2000	410	310	196	360	137	176	133	25	312	382	45		380	421	220
WW3000	436	365	251	386	137	204	165	25	376	442	47		380	523	220
WW4000	436	365	251	386	137	204	165	25	376	442	47		380	523	220
WW5000	436	425	316	386	137	200	219	25	437	494	38		380	599	220

MANUAL WINCHES

INDUSTRIAL WORM GEAR HAND WINCH WW

Features

- Automatic holding brake (Arrests and holds a suspended load. Prevents 'kick back' on the crank handle).
- Ergonomically designed adjustable length crank.
- Geared for maximum rope recovery per crank revolution without undue operator fatigue.
- High quality enamel paint finish, dipped and baked.

INDUSTRIAL WORM GEAR HAND WINCH

www.rriuk.com
to download ebrochure

